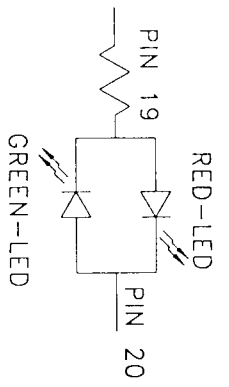
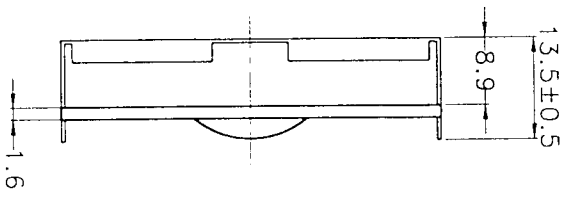
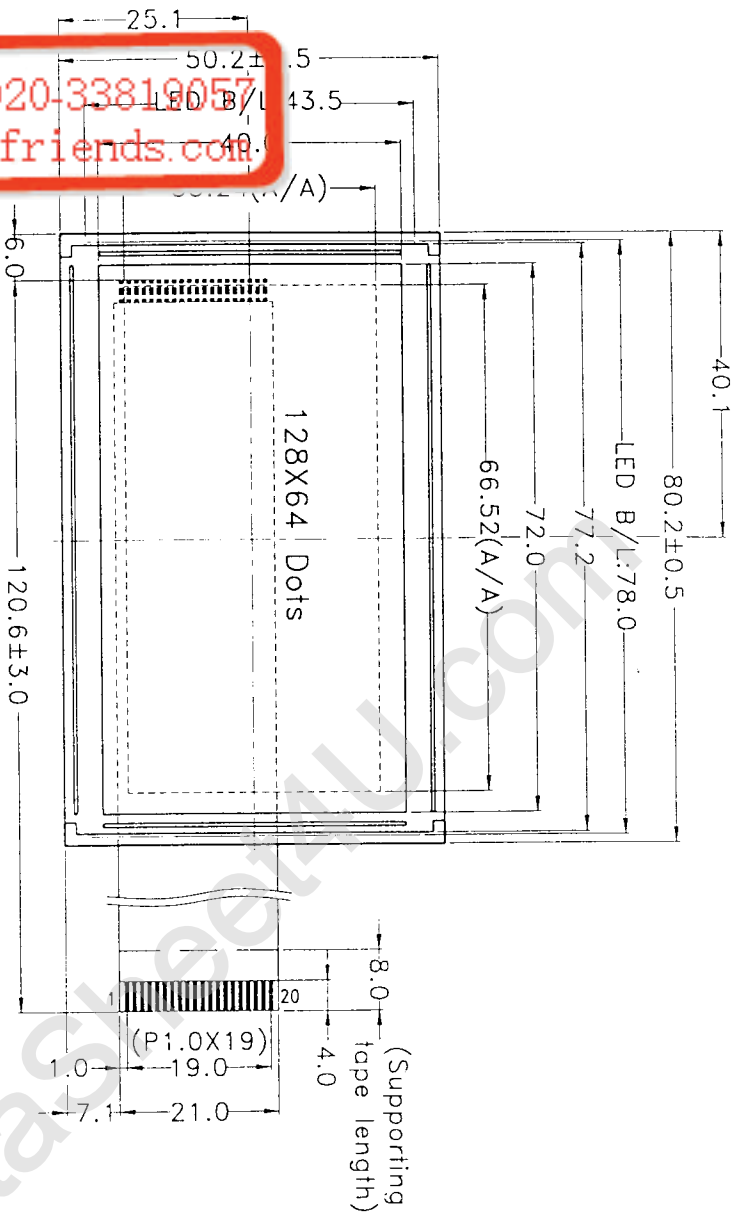
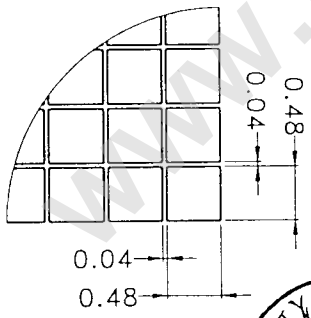
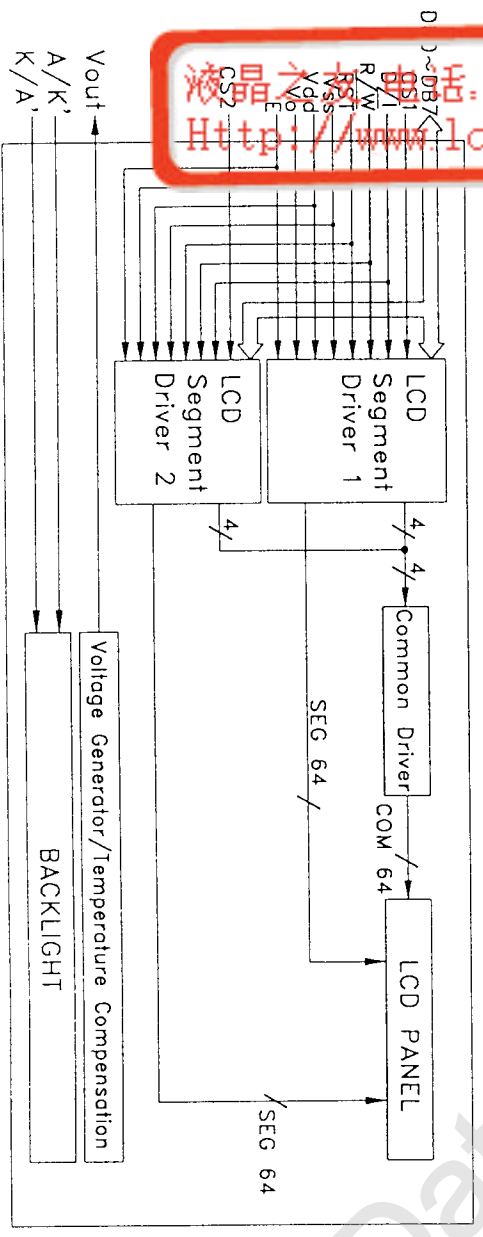


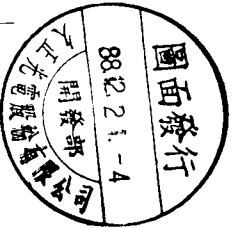
液晶之光電 電話: 020-33810057  
 Http://www.lcdfriends.com



PIN NO.	SIGNAL
1	VSS
2	VDD
3	V <sub>0</sub>
4	D/I
5	R/W
6	E
7	DB0
8	DB1
9	DB2
10	DB3
11	DB4
12	DB5
13	DB6
14	DB7
15	CS1
16	CS2
17	RST
18	Vout
19	A/K'
20	K/A'



SCALE: 15/1



POWERTIP TECHNOLOGY

SCALE: 1/1	MODEL NAME: PS12864NRF-ANN-H-P6-02
UNIT: mm	TITLE: COUNTER DRAWING
ED1. PAGE: 0 / 1/1	DRAWN NO. PG-95002-059
APPROVED: [Signature]	CHECKER: [Signature]
DATE: 88.12.21	DATE: 88.12.21

The tolerance unless classified ±0.3mm